

This block
should be
1" X 1"

3

Cut 2

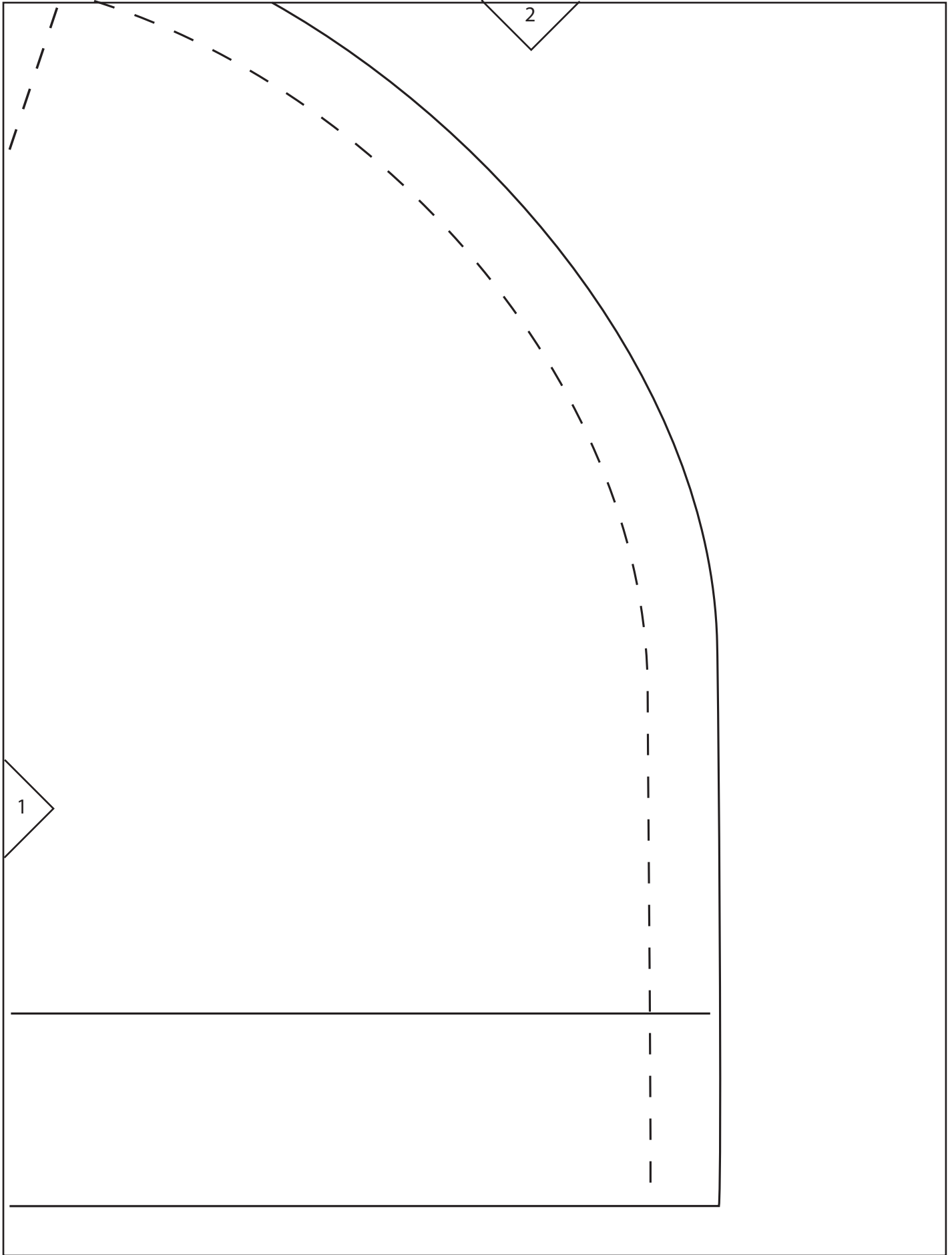
Stretch

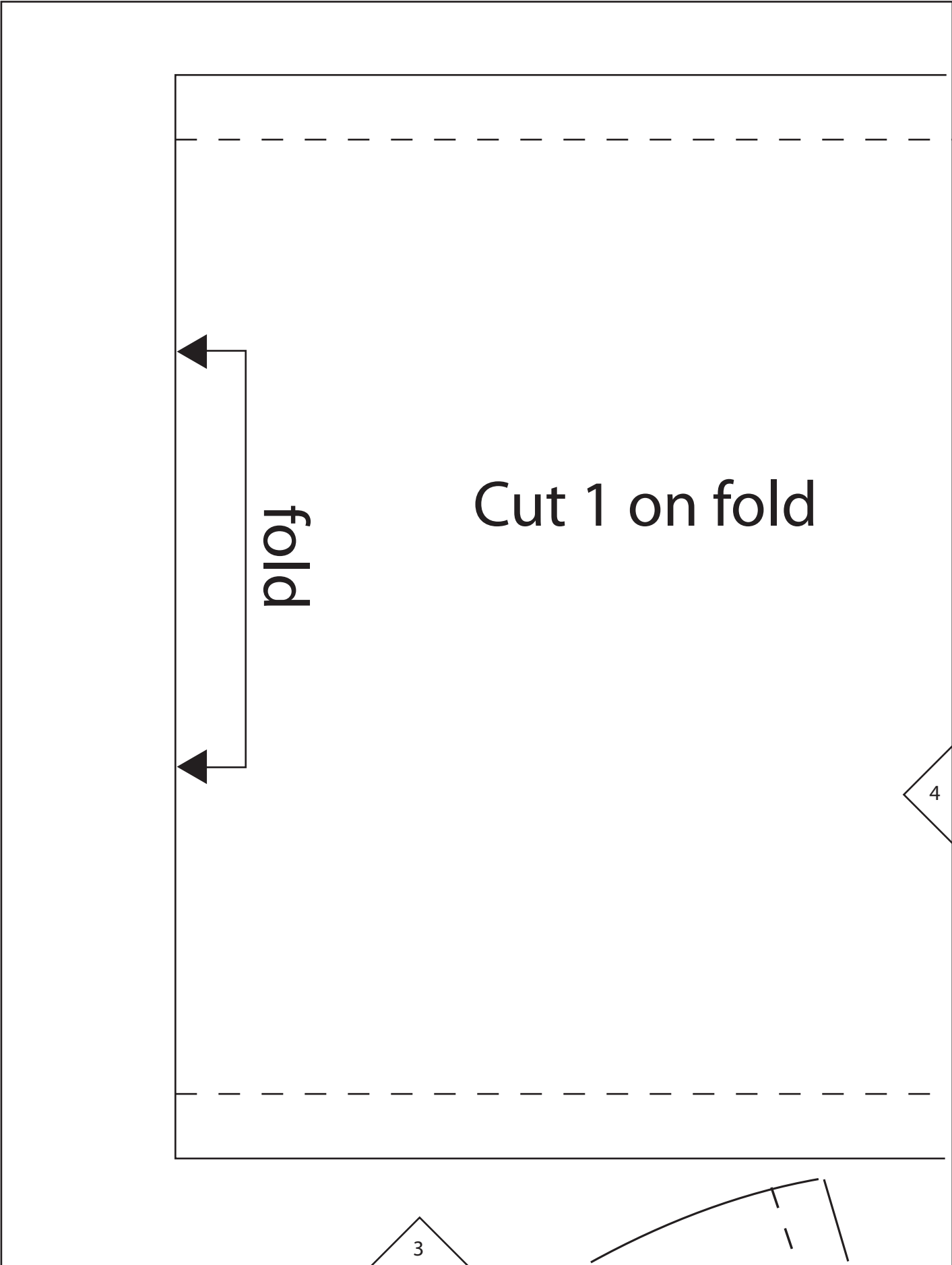


Fold line

1

supersimplesewing.com





Cut 1 on fold

fold

4

3

